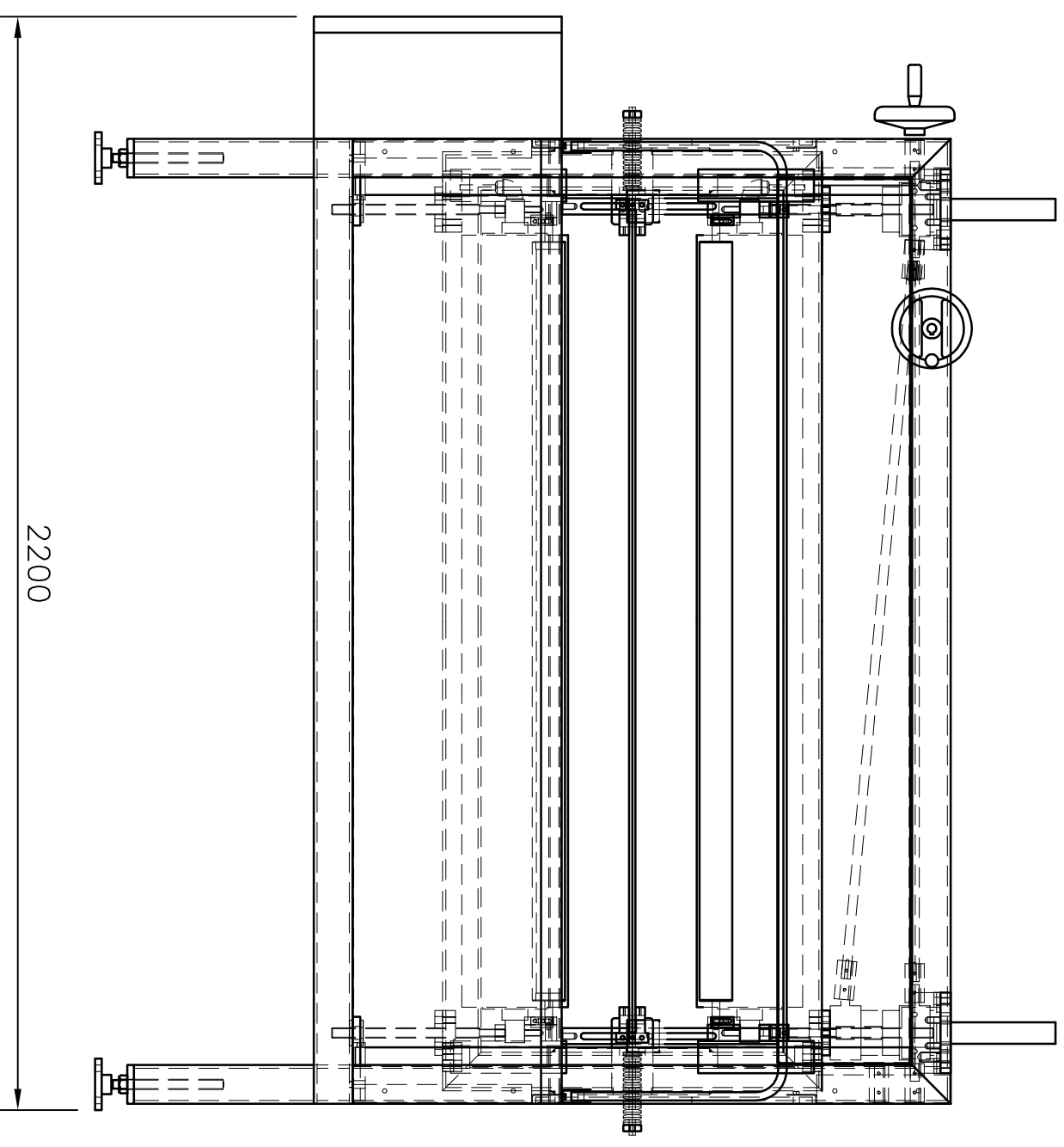
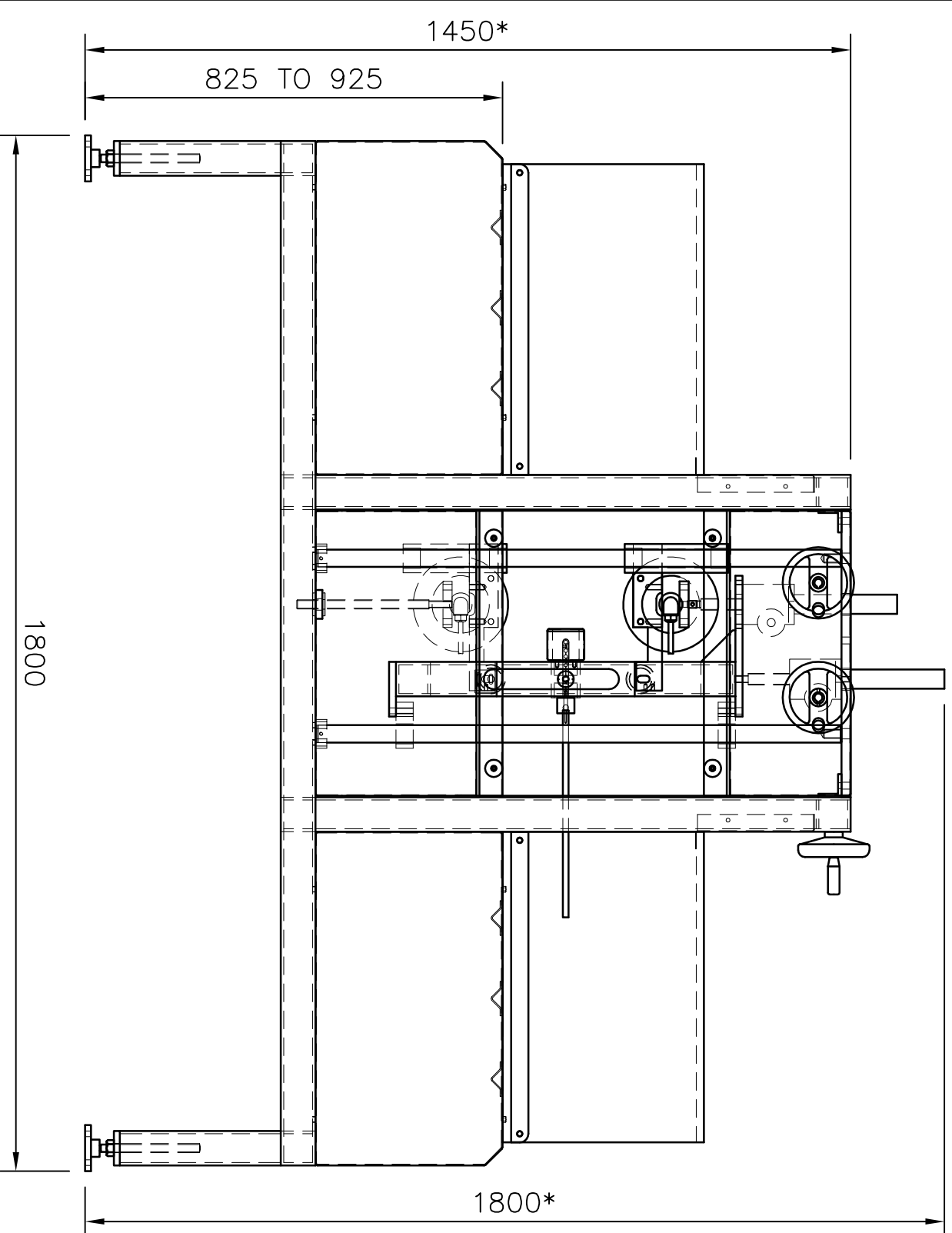


MAX LAMINATED BLOCK SIZE – 300mm
 ROLLER SPEED 1 – 8 M/MIN
 ROLLER WIDTH – 1500mm
 MAX LOWER ROLLER TO KNIFE – 250mm
 MAX UPPER ROLLER TO KNIFE – 100mm
 KNIFE WIDTH – 1600mm
 MAX CUSTOMER FUSE SIZE – 30 AMP
 POWER REQUIREMENTS – 380/400VOLTS 50/60Hz 3PHASE+N+E
 TOTAL MACHINE POWER 8.5 KW
 WEIGHT 750 Kg



* ADJUSTABLE +100mm

MK7 LAMINATOR – GENERAL SPECIFICATION

P & P Precision
Designs Ltd.

ISSUE 1 SCALE 1:1 SZ SHEET

DRAWN PD

DRG. No.

DATE 14/08/02

3808022

THIS DRAWING IN WHOLE OR PART DOES NOT CONSTITUTE A SPECIFICATION. NO STATEMENT, ILLUSTRATION OR OTHER PARTICULARS SHALL FORM PART OF A CONTRACT. NO WARRANTY OR REPRESENTATION IS OFFERED IN RESPECT OF PERFORMANCE FIGURES, SUITABILITY OR FITNESS FOR ANY PARTICULAR PURPOSE OR APPLICATION. © 1993